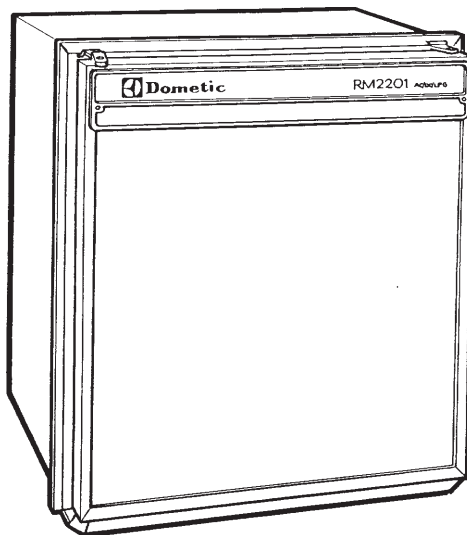




**WHEN ORDERING SPARE PARTS, ALWAYS STATE:**  
MODEL — QUANTITY — PART NUMBER — DESCRIPTION  
**For Electric Details Also:**  
VOLTAGE — WATTAGE

**USA**  
SERVICE OFFICE  
The Dometic Corp.  
509 So. Poplar St.  
LaGrange, IN 46761

**CANADA**  
Dometic Dist.  
866 Lings Dr.  
Cambridge, Ontario  
CANADA N3H 2N7



PRODUCT NO.	MODEL	MARKET	VOLTAGE
926960301	RM2201	U.S.A./CANADA	110V/12V/GAS
926961801	RM2201	U.S.A./CANADA	110V/12V/GAS

# PARTS LIST

**REFRIGERATOR  
MODEL  
RM2201**

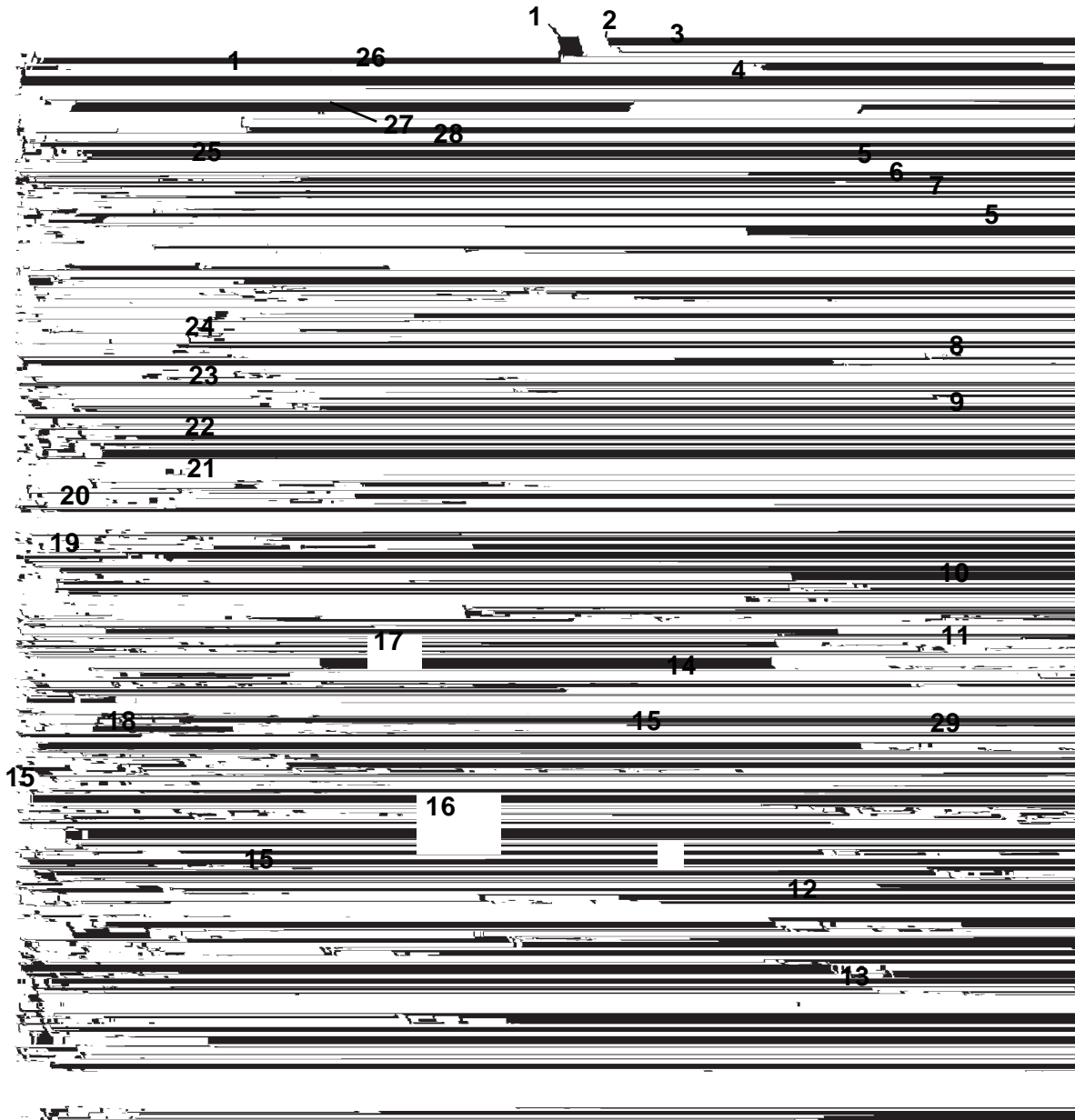


## ALPHABETICAL INDEX

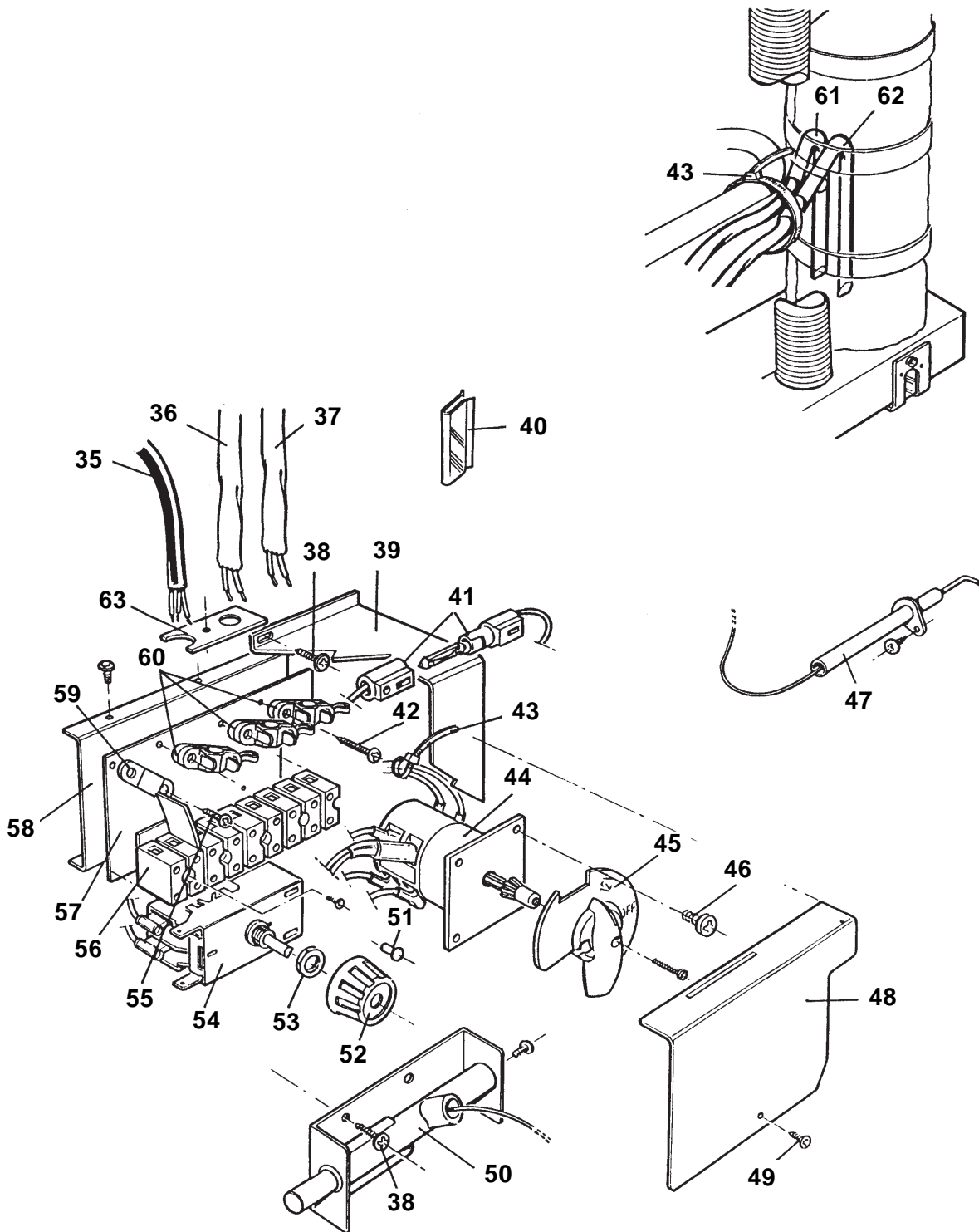
	Page	Index #
Burner & Controls .....	7 & 9	35—106
Cabinet, Front View .....	5	12—29
Cooling Unit .....	11	110—120
Door .....	5	1—11
Wiring Diagram .....	12	—

## SPECIFICATIONS

<b>PRODUCT NUMBER *</b>	<b>926960301</b>	<b>926961801</b>
Energy Sources	110VAC/12VDC/GAS	110VAC/12VDC/GAS
AC Heating Element		
Amperage	.85	.85
Ohms Resistance +/- 10%	129	129
Wattage	94	94
DC Heating Element		
Amperage	8	8
Wattage	96	96
BTU's Gas Burner	270 min./600 max.	270 min./600 max.
Baffle:    Size	3-15/16" x 9/16"	3-15/16" x 9/16"
Position	3-3/8" above burner	3-3/8" above burner
12V DC Fuse Size (Max.)	10 amp	10 amp
Ice Cube Tray(s) w/refrigerator	1	1
Bottle Holder(s)	1	1
* Product number located on refrigerator data plate.		

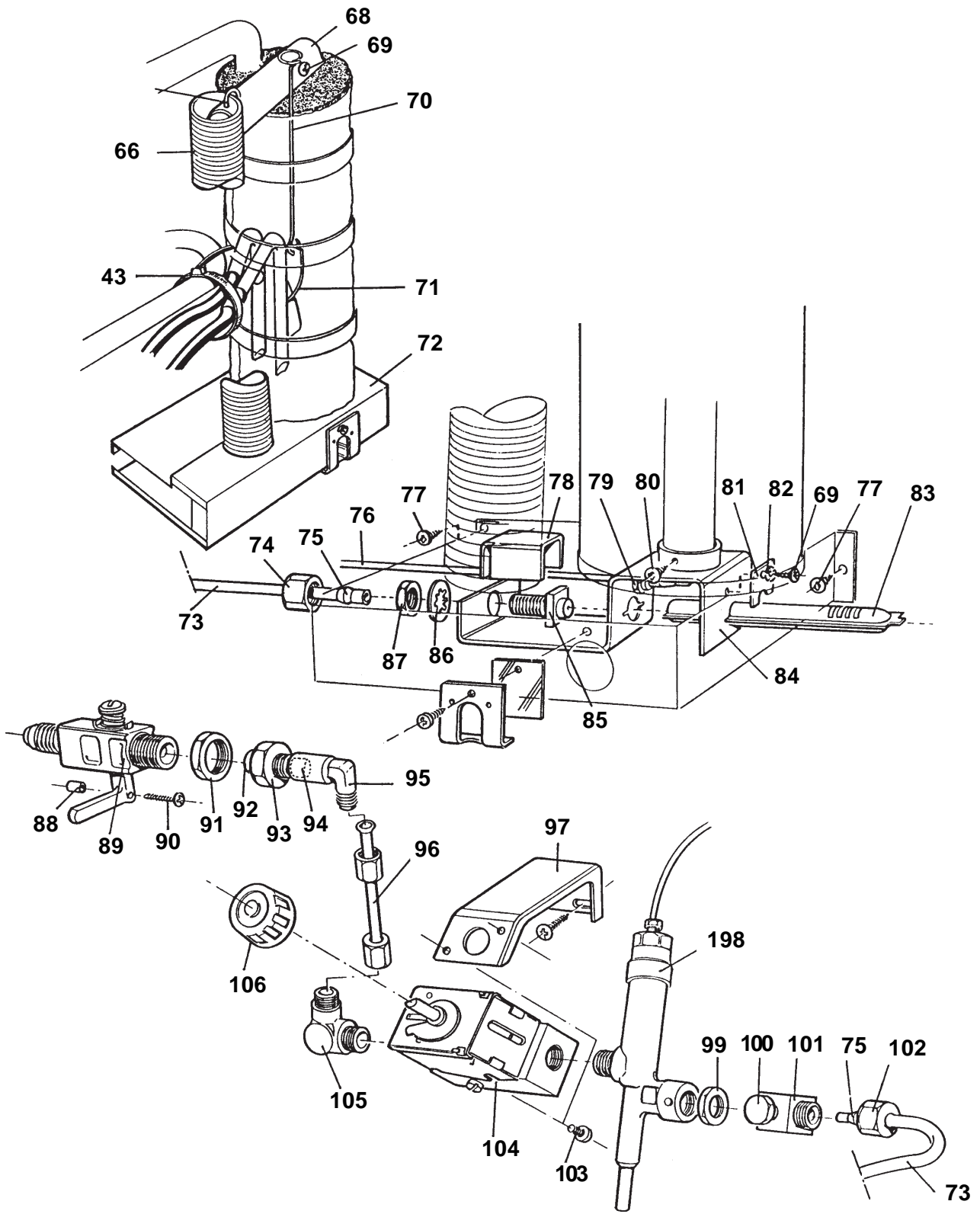


Index #	Part No.	Description
1	0272088006	Screw, 8x12 poz. pan (2 req.)
2	2904671050	Hinge, RH upper
3	2904753033	Hinge pin, upper
4	2904802028	Flange, side, right
5	2901431003	Screw, 4x3/4 poz pan (2 req.)
6	2901479127	Nameplate, RM2201
7	2904841000	Lower part, travel catch
8	2904836000	Door, complete (Prod. No. 926960301)
	2904836091	Door, complete (Prod. No. 926961801)
9	2904618018	Shelf, door, plain, upper
10	2904780018	Retainer, bottle
11	2904619000	Shelf, door, plain, lower
12	2901713004	Ice cube divider
13	2901681003	Tray, ice
14	2900352002	Hinge pin, lower
15	0340484005	Screw, 6x1/2 pozi pan (6 req.)
16	2900354057	Plate, foot, front
17	2901230025	Seal strip
18	2900355021	Plate, foot, rear
19	2904985005	Instruction plate, w/label rear foot plate
20	0339414013	Rivet, break stem
21	2905290025	Shelf, full depth
22	2904802036	Flange, side, left
23	2904645013	Door, C.C., decorated
24	2905346009	Shelf, top
25	2904672058	Hinge, L/H, upper
26	2904818008	Screw, travel catch
27	2904817000	Catch, travel
28	2904803018	Flange, top
29	2900348059	Hinge, bearing



---

Index #	Part No.	Description
35	0343157004	Cable, with plug
36	0340197086	Sleeve, insulation
37	2903271035	Sleeve, insulation
38	0340484005	Screw, 6x1/2 pozi pan (2 req.)
39	2901829016	Housing, complete
40	2901604005	Clip, capillary
41	2901844007	Fuse holder asm.
42	0290520006	Screw, 6x3/4
43	2900962008	Cable strap (2 req.)
44	2002586002	Switch, rotary
45	2002585004	Knob, complete, switch
46	0291072007	Screw, 10x3/8 poz pan
47	2905546004	Electrode with wire
48	2904840002	Cover, inspection
49	0158130005	Screw, 4x1.4 poz pan
50	2901181012	Igniter, impact
51	0292611027	Indicator, thermostat
52	2901183018	Knob, complete, elec thermostat
53	2900705001	Nut, thermostat
54	2902595004	Thermostat
55	0291419000	Screw, 6x3/8 poz pan
56	2901749016	Terminal block
57	2904824006	Insulation, term block
58	2904842008	Plate, fastening, term block
59	0271019002	Saddle clip
60	2903104004	Clamp, cable
61	2902192125	Element, heating, 95W, 12V
62	2903296024	Element, heating, 95W, 110V
63	2904844004	Plate, entry

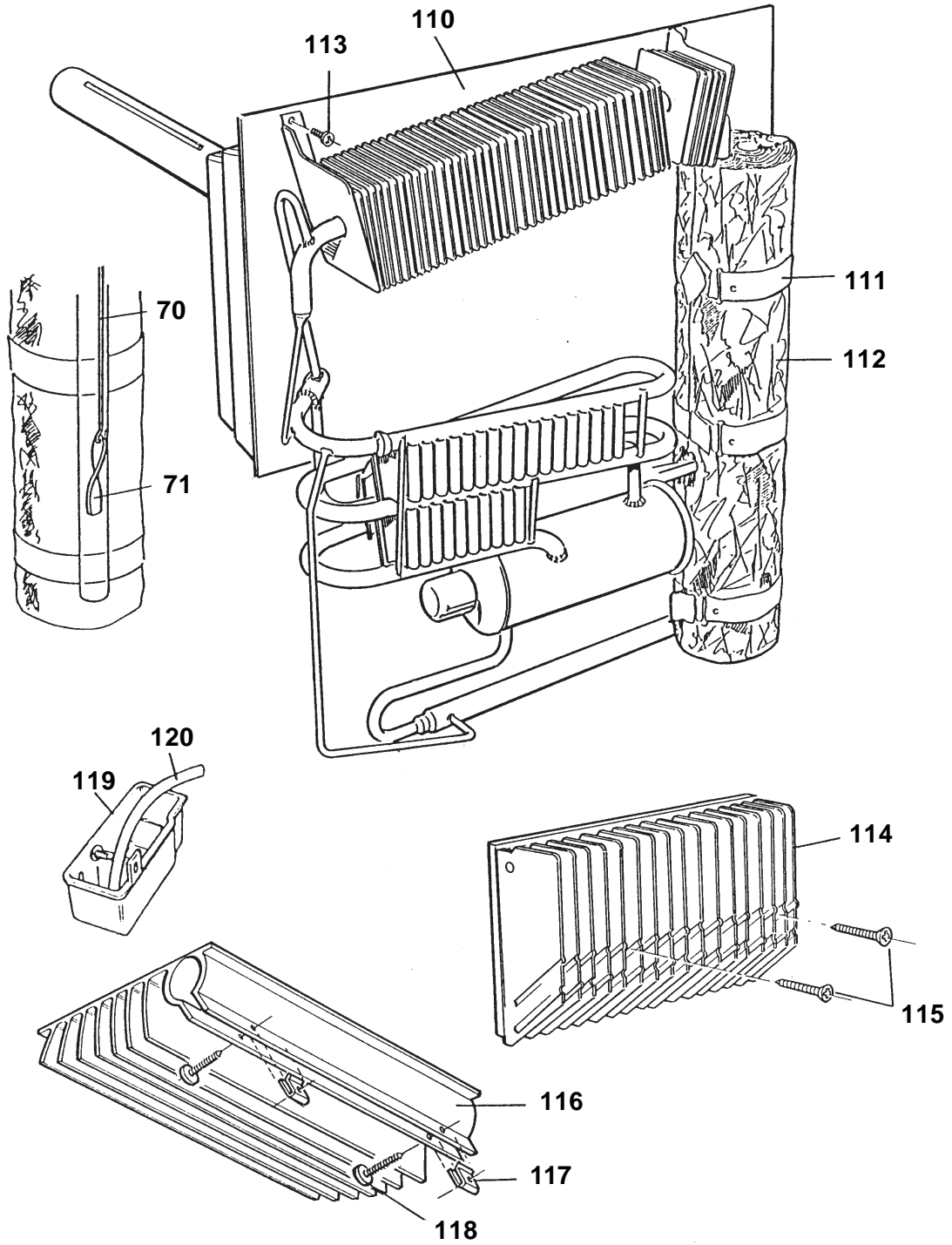




Index #	Part No.	Description
66	2903360002	Tube, balanced flue
67	2903388003	Retainer, top, flue
68	2903361000	Balanced flue top
69	0290583004	Screw, 4x1/4 poz pan (2 req.)
70	2900246030	Support, baffle
71	0339202004	Baffle
72	2904980006	Shield, burner with window
73	2904812001	Pipe, gas
74	2902553003	Nut, union
75	0173213000	Olive
76	2902551023	Thermocouple
77	0340484005	Screw, 6x1/2 pozi pan (2 req.)
78	2902546007	Shield, aeration hole
79	2902535000	Nut, lock
80	2902611009	Screw, 6x1/4 pozi
81	2902548011	Plate, securing, burner housing
82	7352124007	Washer, lock
83	2903403000	Burner, tube, complete
84	2905560005	Housing, burner
85	2902540059	Jet, comp. size F
86	0341747004	Washer, lock
87	2902550009	Nut, hex M10x 1P
88	2002582001	Tube, protection, gas cock asm.
89	2901885000	Gas cock asm.
90	0341733004	Screw, 6x5/8 poz pan
91	2901849006	Nut, for gas cock
92	0172808008	Nipple, union
93	0172809006	Nut, union
94	2901676003	Filter
95 *	2904826001	Adapter, elbow
96 *	2904813009	Pipe, gas, asm.
97	2901739009	Bracket, support, gas thermostat
98	2904991003	Flame failure device/regulator
99	0272562000	Nut, lock
100	0169380003	Screw, plug
101	2002470009	Housing, test gauge
102	2901369005	Nut, union
103	7241285019	Screw, M4x6 pozi pan
104	2900703147	Thermostat, V35
105	2904601008	Adapter, elbow
106	2901183026	Knob, therm., cpl. gas

\* **NOTE:** Items No. 95 & 96 must be ordered together.

# COOLING UNIT



---

## COOLING UNIT

<b>Index #</b>	<b>Part No.</b>	<b>Description</b>
110	2904586019	Cooling unit
111	2903774004	Strap, boiler ins.
112	2903934020	Insulation, boiler
113	2902848015	Screw, 8x3/4
114	2904597008	Fin bank, complete
115	2900798006	Screw, 10 x 1.5 (2 req.)
116	2904814007	Evaporator, shelf, complete
117	2903205009	Nut, captive
118	2903649008	Screw, 6x7/8 poz st
119	2901824009	Vessel, drainage
120	2904751019	Tube, drain
	8213853008	Operating Instructions

# WIRING DIAGRAM

